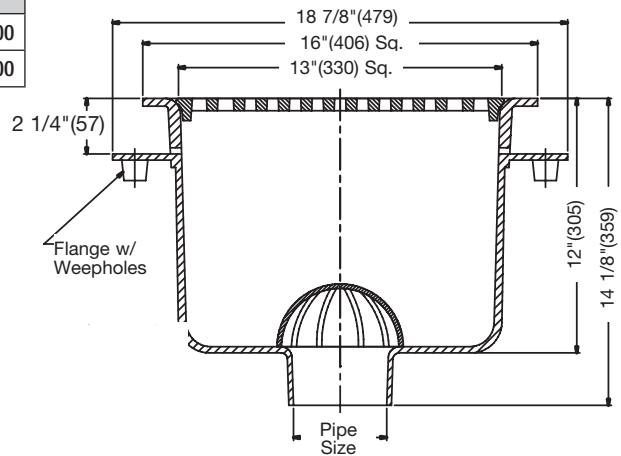


Sanitary Floor Sinks

FS-850

16" Square x 12" Deep Sanitary Floor Sink

Model Number	Weight (lbs.)	Top Size	Outlet Size	Top	List Price
FS-854,6	150	16" Sq.	4,6"	porcelain	\$4,686.00
FS-854,6-1	150	16" Sq.	4,6"	nickel bronze	5,903.00



Options for FS-850 Series

Suffix	Description	List Price	Suffix	Description	List Price
-FC	Flashing Clamp	\$563.50	-150	1/2 Grate	No Add
-5	Sediment Bucket	826.50	-175	3/4 Grate	No Add
-6	Vandal Proof (-1 Only)	76.00	-F4-1	4" Round NB Funnel	\$428.00
-7	Trap Primer Tapping	191.00	-F6-1	6" Round NB Funnel	625.50
-9	Hinged Grate	351.00	-G-1	4x9" Oval NB Funnel	872.00
-33	Less Grate	-821.50			

Supplied By:



877-903-7246

www.commercialplumbingsupply.com



Consult factory for all applications outside of listed parameters.
Prices do not include applicable taxes.